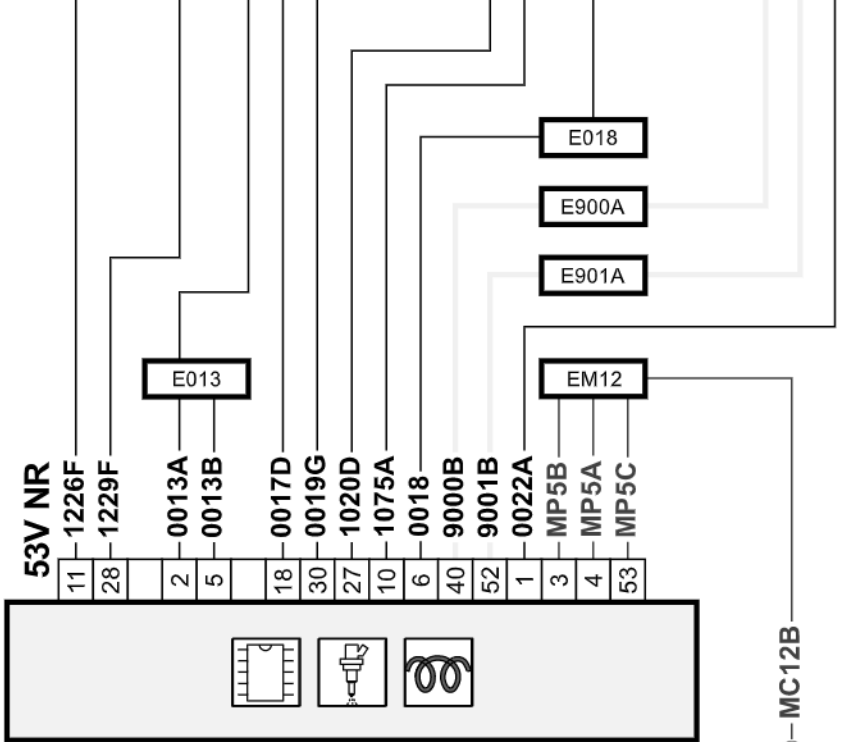
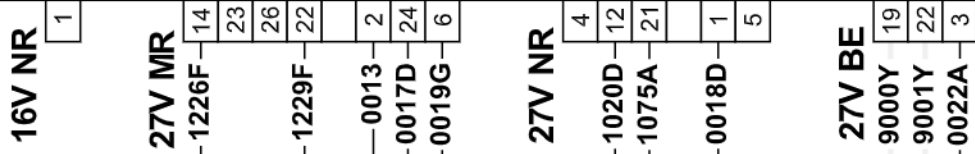
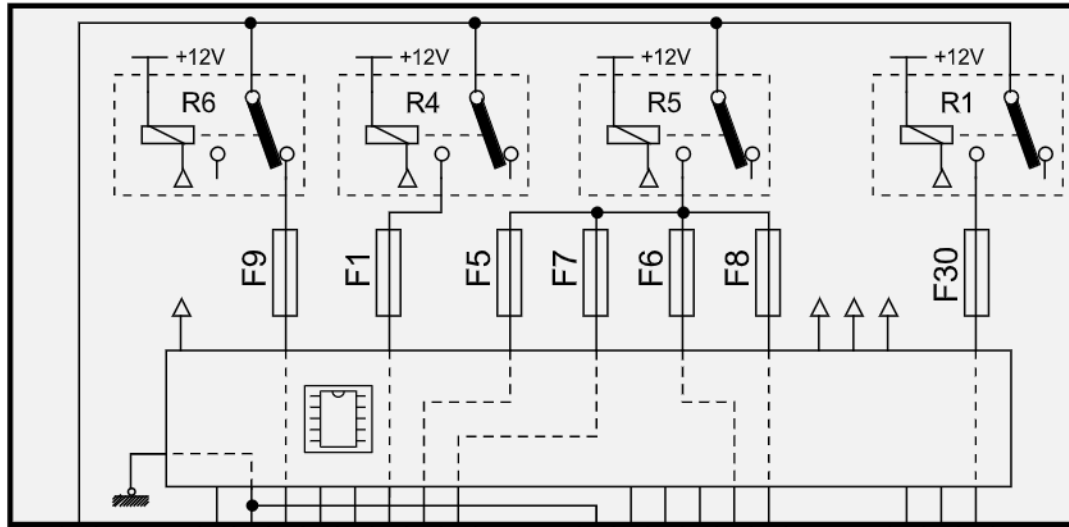


Vehicle: 508		VIN number: VF38E9HR8CL024911 / OPR: 12897	
domain	powertrain	function	engine cooling
component:	1320 engine control calculator		

null

PSF1



1320



D3HZZ7IE

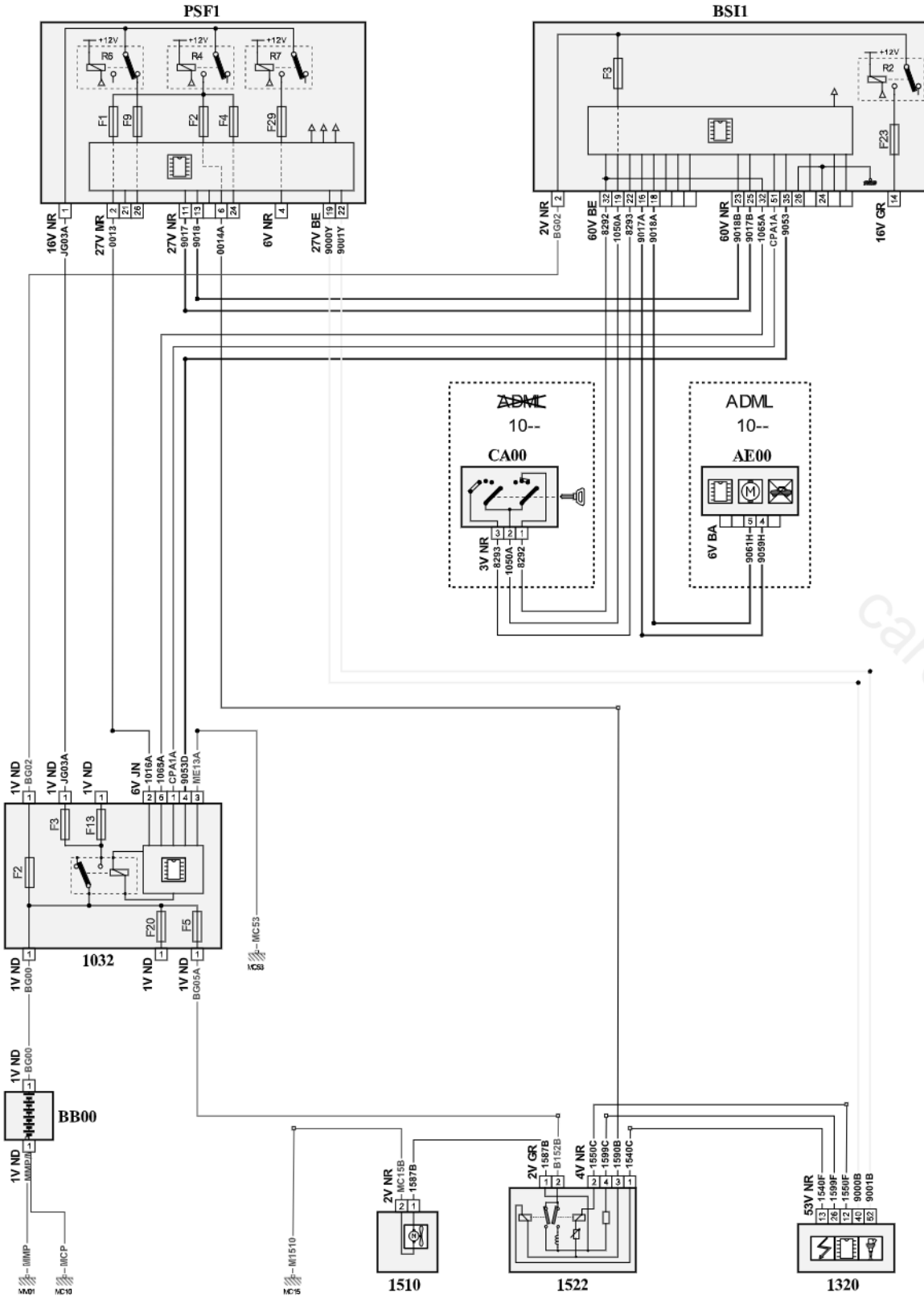
Automobiles Peugeot RC PARIS B 552 144 503 All reproduction of this information even partial is prohibited without prior written permission of the Manufacturer

21/04/2021

item code	designation	information
1320	null	engine control calculator
E013	null	spide of an information thread (or equipotential 0013)
E018	null	spide of an information thread (or equipotential 0018)
E900A	null	spide of an information thread (or equipotential 276A)
E901A	null	spide of an information thread (or equipotential 901A)
EM12	null	mass spousal (mass point number 12)
MC12B	null	mass point cash number 12
PSF1	null	bondage plate - engine compartment fuse box

Vehicle: 508		VIN number: VF38E9HR8CL024911 / OPR: 12897	
domain	powertrain	function	engine cooling
component:			

principle



D3CZ5EER

Automobiles Peugeot RC PARIS B 552 144 503All reproduction of this information ev en partial is prohibited without prior written permission of the Manufacturer

21/04/2021

item code	designation	information
1032	null	electrical power supply protection and management box
1320	null	engine control calculator
1510	null	motorcycle group /
1522	null	control calculator of the twin-speed motorbike group
AE00	null	electric anti-theft steering
BB00	null	bondage battery
BSI1	null	Smart Bondage Case (BSI1)
CA00	null	anti-theft steering contactor
E013	null	spide of an information thread (or equipotential 0013)
E900A	null	spide of an information thread (or equipotential 276A)
E901A	null	spide of an information thread (or equipotential 901A)
E917	null	spide from an information thread (or equipotential 917)
E917A	null	spide of an information thread (or equipotential 917A)
E918	null	spide from an information thread (or equipotential 918)
E918A	null	spide of an information thread (or equipotential 918A)
E953	null	spide from an information thread (or equipotential 953)
EM53	null	mass spousal (mass point number 53)
MC10	null	mass point cash number 10
MC15C	null	mass point cash number 15C
MC53B	null	mass point cash number 53B
MM01	null	engine mass point number 01
PSF1	null	bondage plate - engine compartment fuse box